



## Replacement/Retrofit 8480 Patio Door Installation

Not all window and door types can be installed into every wall application in all areas. Consult with your local building code official for applicable building codes and regulations. Local building code requirements supersede recommended installation instructions.

Note: Installations where the sill is higher than 35 feet above ground level, must be designed by an architect or structural engineer. Failure to install windows and doors into square, level and plumb openings could result in denial of warranty claims for operational or performance problems.

### TOOLS

- Installation Screws (Included)
- Tape Measure
- Level
- Screwdriver
- Caulk & Caulking Gun
- Hammer
- Flat Pry Bar
- Utility Knife

### SAFETY

- Do not work alone. Two or more people may be required.
- Use safe lifting techniques.
- Use caution when handling glass. Broken or cracked glass can cause serious injury.
- Use proper protective gear (gloves, safety glasses, ear protection, etc.)
- Use power tools safely following manufacturer operating instructions.
- Use caution when working on ladders or at elevated heights.
- Take proper precaution if lead paint is suspected (commonly used prior to 1979). Information regarding regulations and lead protection can be found at [www.epa.gov/lead](http://www.epa.gov/lead)

### Material & Handling

- Handle in a vertical position. Do not carry flat or drag on the floor.
- Do not put stress on joints, corners or frames
- Store door in dry, well-ventilated area in vertical, leaning position. Do not stack horizontally.
- Protect from exposure to direct sunlight during storage.

### DISPOSAL & RECYCLING

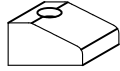
Most Construction & Demolition (C&D) debris is nonhazardous and is not regulated by EPA. Many states have specific definitions of C&D debris that effectively determine what materials are allowed to be disposed of in nonhazardous waste landfills & C&D landfills. Even if federal or state regulations do not apply to your business, you should make efforts to keep the hazardous components of the wastes you generate out of landfills to conserve natural resources and protect human health and the environment. Suggestions outlined at the following link <http://www.epa.gov/osw/inforesources/pubs/infocus/rif-cd.pdf> identify steps you can take to reduce, reuse, and recycle your waste.



**Read these instructions completely before installing your new door, they are meant to be a general outline and do not cover every construction application.**

1. Inspect the new door for damage and make sure you have all of its parts. Also check the size of the door and make sure the door is made to spec. Measure the size of the opening width at the top, middle and bottom and the size of the height at left, center and right to ensure that the door will fit within the smallest of those measurements. Measure the opening diagonally to make sure the door can be installed square and plumb within the opening. If there is an issue with any of the above, Do-Not-Install the door and contact your door distributor.
2. Remove the existing door and make sure the rough opening is clean of debris and that all cracks and voids are sealed. Also make sure the sill is level.
3. Before setting the door permanently, place it in the opening to be sure it will fit properly (modify rough opening to fit door).
4. Remove the door from the opening and apply a generous bead of caulking near the outside edge of the sub-floor. Also wrap the head and jambs with insulation before putting the door into the opening. It is very important to get a good seal between the sill and subfloor to ensure against air and water infiltration.
5. Place the door into the opening and place a level on the sill to make sure it is level and not crowned.
6. Once the sill is level, loosely install all of the installation screws. Check the frame for square by measuring diagonally from corner to corner. Use shims to plumb the jambs and finish screwing in the installation screws taking care not to distort the frame. Make sure that the screws driven into the head are backed by shims.
7. Install the operating panel and adjust the rollers so the panel is level and the same height as the fixed panel. The rollers are adjusted with a screw driver through the two holes in the bottom rail of the inside panel. Once the rollers are adjusted, cover the holes with the two hole plugs provided in the installation pack.
8. Close the panel and lock the door. If the latch does not engage properly, the keeper in the jamb can be loosened and adjusted up or down to align with the hook on the mortise lock. Also the hook latch on the mortise lock can be adjusted in or out by turning the screw above the hook. Once the door is locking properly, remove the short screws on the keeper, one at a time, and replace them with the two 8 x 2 1/2" screws provided in the installation pack. (If the door is equipped with a 3pt. locking system, do not remove the 3 keeper screws, but adjust the height of the keeper if necessary, then install three additional 8 x 2 1/2 screws in the three pre-drilled holes provided.)
9. Install the two panel anti-removal stops that are in the installation pack with the screws provided. Both are installed in the head above the operable panel in the pre-drilled holes. One is installed with the panel completely closed and the other is installed with the panel open. These stops prevent the door from being lifted out of the track when the kick lock is engaged in the vent position.
10. Install the inside and outside pocket covers, inserting them at the bottom and then zippering them in up to the top.
11. Caulk around the perimeter of the frame on the outside with an approved sealant. Where needed, trim and cap.
12. Finally, finish off the inside of the door.

### 8480 Install Pack



Qty 2  
Anti Lift Bumpers

Qty 2  
3/8" Hole Plugs

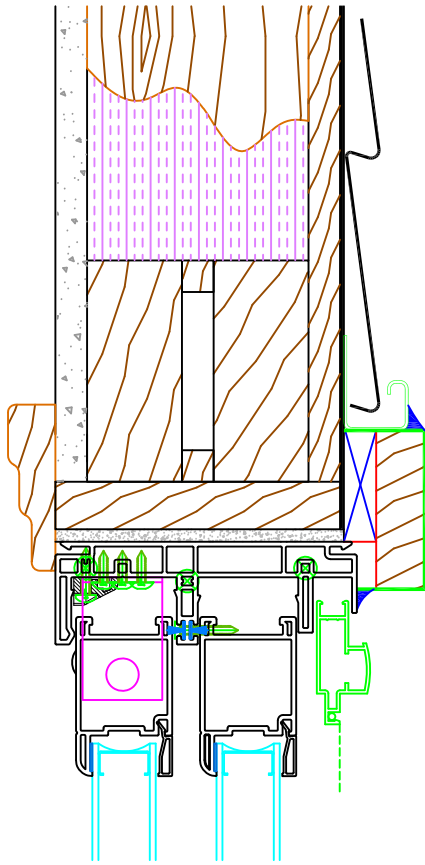
Qty 2 - Anti Lift Bumper  
#6 x 1" Truss Head Screws



Qty 2 - Keeper  
#8 x 2 1/2" Pan Head Screws

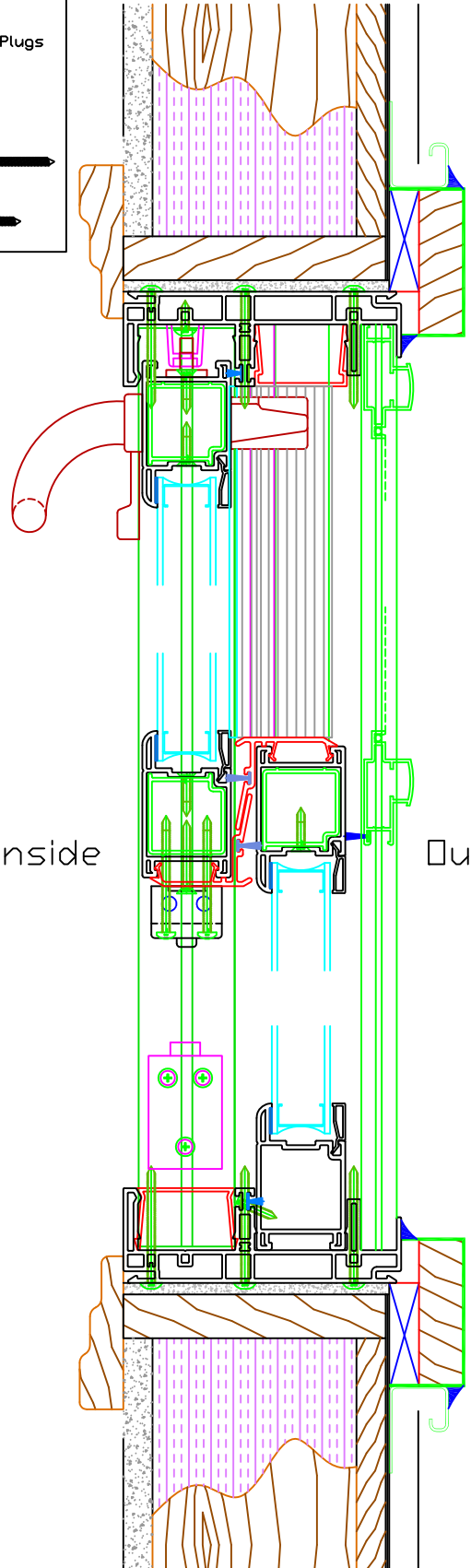


Qty 8 - Install  
#8 x 2" Truss Head Screws



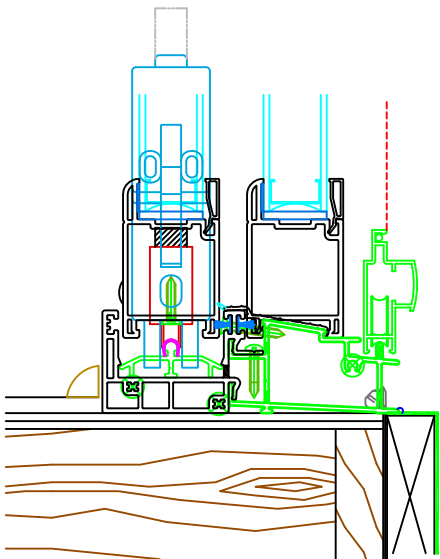
Inside

Outside



Inside

Outside



8480 Patio Door  
Side View

8480 Patio Door  
Top View